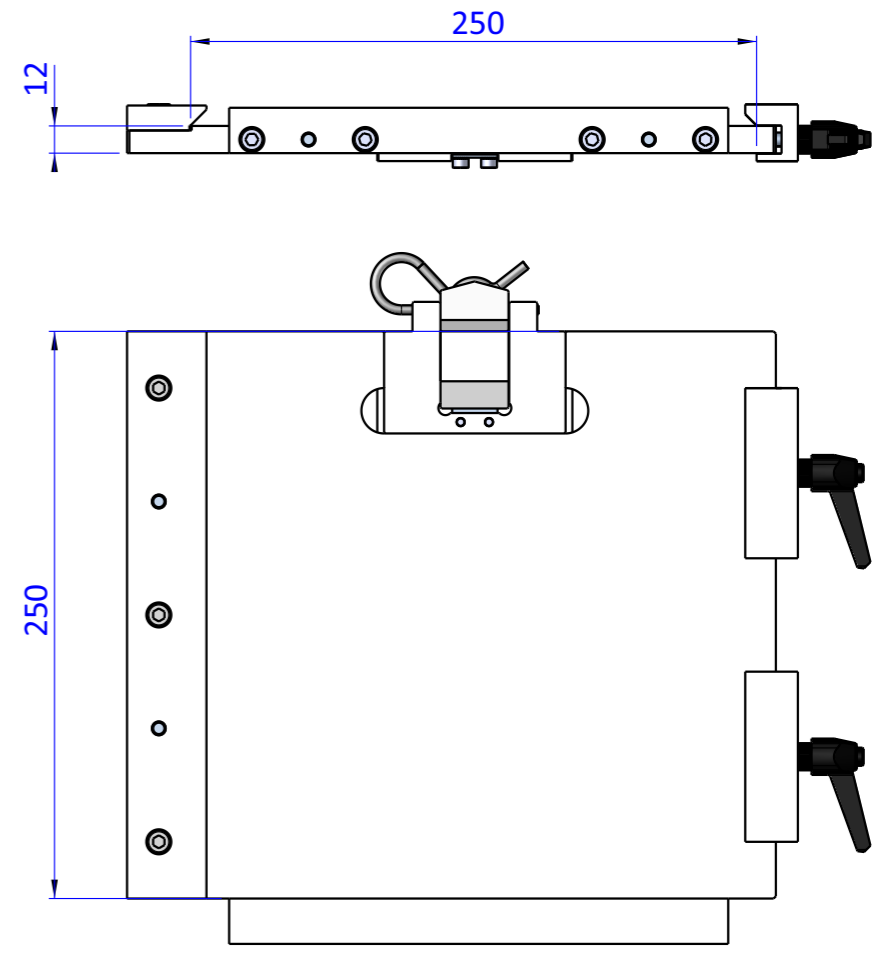
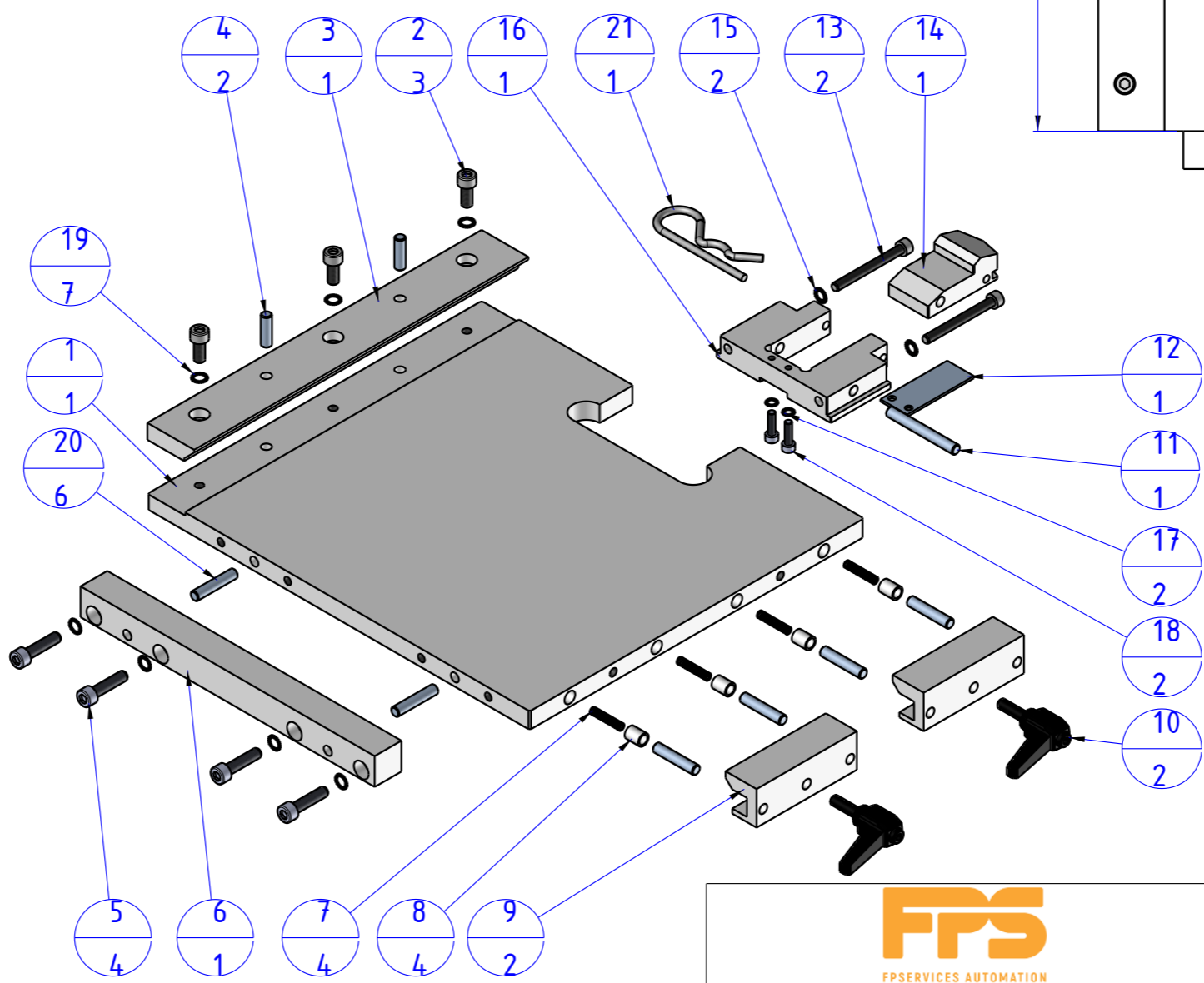



THE PROPERTY OF THE DRAWING IS ESTABLISHED BY LAW. IT IS FORBIDDEN TO PRODUCE OR SHOW IT TO THIRD PART. WITHOUT A WRITTEN AGREEMENT.

| Item | Name | Q.ty |
|------|-------------|------|
| 1 | SWM3.1.1S | 1 |
| 2 | V.TCE6x14 | 3 |
| 3 | SWM3.2S | 1 |
| 4 | SP.6x20 | 2 |
| 5 | V.TCE6x25 | 4 |
| 6 | SWM3.3S | 1 |
| 7 | M.DIM.11230 | 4 |
| 8 | PAP.060810 | 4 |
| 9 | SWM3.4S | 2 |
| 10 | MAN.M6x20 | 2 |
| 11 | SP.6X50 | 1 |
| 12 | SWM3.7 | 1 |
| 13 | V.TCE5x50 | 2 |
| 14 | SWM3.6 | 1 |
| 15 | R.5.SCH | 2 |
| 16 | SWM3.5 | 1 |
| 17 | R.4.SCH | 2 |
| 18 | V.TCE4x14 | 2 |
| 19 | R.6.SCH | 7 |
| 20 | SP.6x30 | 6 |
| 21 | EL.GN.70936 | 1 |



Format A3
UNI 936-76

| | | | | |
|--|--|----------------|--|----------|
|  FPS FPSERVICES AUTOMATION | | DESIGNED FROM | | REVIEW |
| | | FPS Automation | | A |
| GENERAL TOLERANCE | | DATE | | WEIGHT |
| UNI - ISO 2768 | | 11/01/2021 | | 8,180kg |
| CLASSE f | | CODE | | |
| | | CA.SWM3 | | CA.SWM3S |